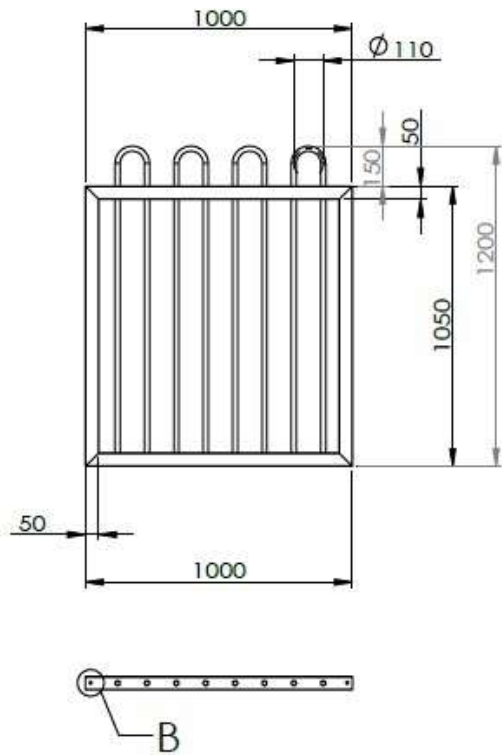


BOW TOP GATE 1200(W) X1000 (H)



Detail A:
Process hole

Detail B:
Process hole



GENERAL NOTES:

1. UNLESS OTHERWISE SPECIFIED DIMENSIONS ARE MM.
2. ALL DIMENSIONS ARE BEFORE ANY FINISHING OR COATING.
3. ALL DIMENSIONS ARE ± 1 MM (UNLESS OTHERWISE NOTED).
4. Drawings are for reference only, and if there is any change, consult with management

FENCE FOUNDRY

METAL FENCES & GATES